

CERTIFICATION



HACCP International



ISO9001

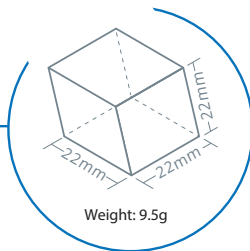
ICE MATE

by  HOSHIZAKI

SRM-200AB -B-301SA

ICE MAKER

DICE



ICEMATE is committed to bringing high-efficiency / energy-saving, and high quality ice-making product to people who have dreams and desire to create their own business with the best scientific technology and manufacturing technology.

KEY FEATURES

SAFETY AND HYGIENE ASSURED ICE MACHINE

AUTO-CLEANING



Timely maintenance of water system can extend life of equipment.

PURE ICE

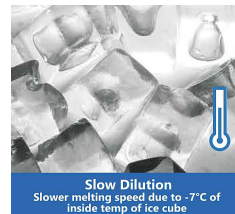


Overflow self-cleaning function, ensuring ice hygiene

IoT



Slow melt Dilution



Slow Dilution
Slower melting speed due to -7°C of inside temp of ice cube

Powerful Ice Making



Powerful Ice Making

Designed for commercial Ice Machine

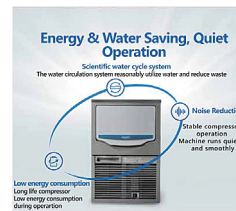
Alpha Compressor

Fast Ice Making

Sufficient Ice Production

Ice making cycle about 12.0~19.5min
Ensuring sufficient ice production in 24 hours

Energy & Water Saving, Quiet Operation

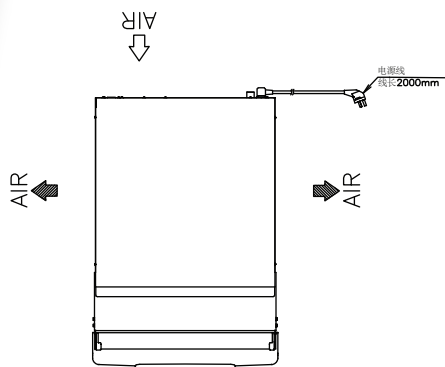


Energy & Water Saving, Quiet Operation

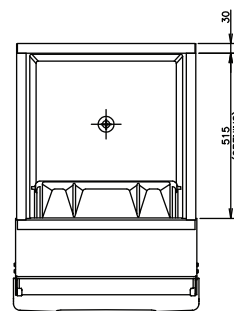
Scientific water cycle system
The water circulation system reasonably utilizes water and reduce waste

Low energy consumption
Long life compressor
Low energy consumption during operation

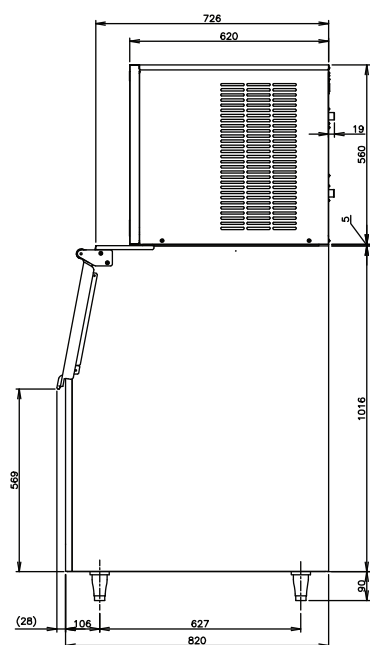
Noise Reduction
Stable compressor operation
Machine runs quietly and smoothly



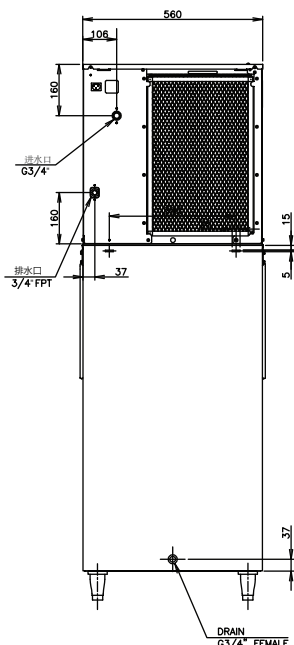
BIN TOP VIEW



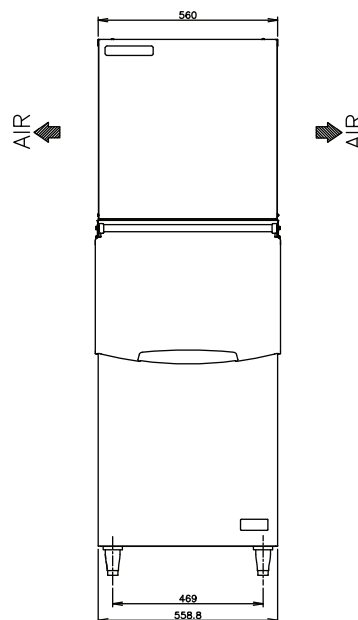
RIGHT SIDE



BACK SIDE



FRONT SIDE



SPECIFICATIONS

Ice Dimensions (W x D x H)	22 x 22 x 22 mm
Outside Dimensions (W x D x H)	560 x 820 x 1671(~1701) mm
Package Dimensions (W x D x H)	Ice Maker: Pallet+Carton: 650 x 710 x 750mm Storage Bin: 655 x 924 x 1138 mm
Weight (Net / Gross)	Ice Maker: 50kg / 66.5kg Storage Bin: 37kg / 49kg
Amperage / Starting Amperage	5.6A / 22A
Electrical Consumption	(AT32°C / WT21°C) 835W
Refrigerant Charge	R404A/450g
Ice Storage Capacity	Maximum 144 kg
Ice Production per 24H	(AT10°C / WT10°C) Approx. 201 kg (AT21°C / WT15°C) Approx. 174 kg (AT32°C / WT21°C) Approx. 130 kg

Water Consumption per 24H	(AT32°C/WT21°C) 0.14m ³ (1.1 L / kg Ice)
Ice Production Freeze Cycle Time	(AT21°C/WT15°C) 13.3 min
Ice Production per Cycle	(AT21°C/WT15°C) Approx. 1.72kg / 182 pcs

OPERATING CONDITIONS

Voltage Range	198 - 242 V
Ambient Temperature	5 - 38°C
Water Supply	5 - 32°C
Water Supply Pressure	0.07 - 0.55 Mpa (0.7 - 5.5 bar)
Supply Voltage	1/220 - 240V / 50Hz



HOSHIZAKI

HOSHIZAKI MALAYSIA SDN. BHD.

No. 12, Jalan Penyajak U1/45B. Hicom-Glenmarie Industrial Park, 40150 Shah Alam, Selangor
TEL (+60) 3 5569 8023 | <https://hoshizaki.com.my/>